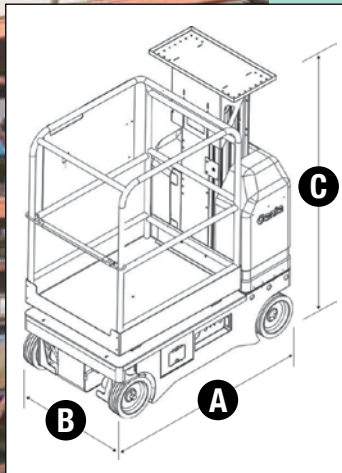


VERTICAL LIFT



Genie GR-20



GENIE GR-20

Specification	Metric	Imperial
Working Height	7.85m	25ft 9in
Platform Height	6.02m	19ft 9in
Safe Working Load (SWL)	159kg	350lb
Length	A 1.35m	4ft 5in
Width	B 0.80m	2ft 8in
Height	C 1.98m	6ft 6in
Weight	1,112kg	2,451lb
Height (Stowed)	1.98m	6ft 6in
Power Source	Battery	
Gradeability	17°	



IDEAL FOR

- Indoor use
- Finished surfaces
- Warehouses